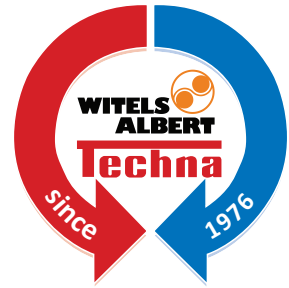


Contents	Page
Introduction	113
VR & VG Series - Custom Built Pre-forming Heads	114
VB & VF Series - Pre-forming Heads	115
SR Series - Postformers	116



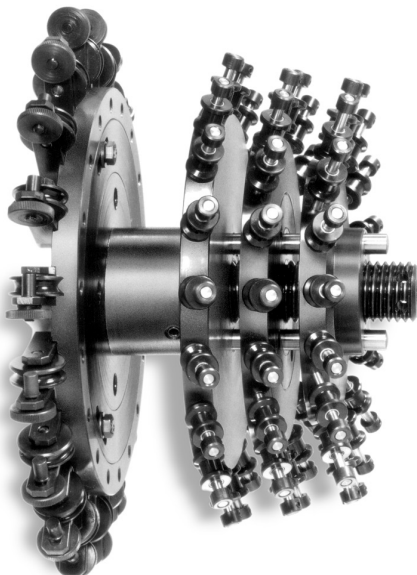
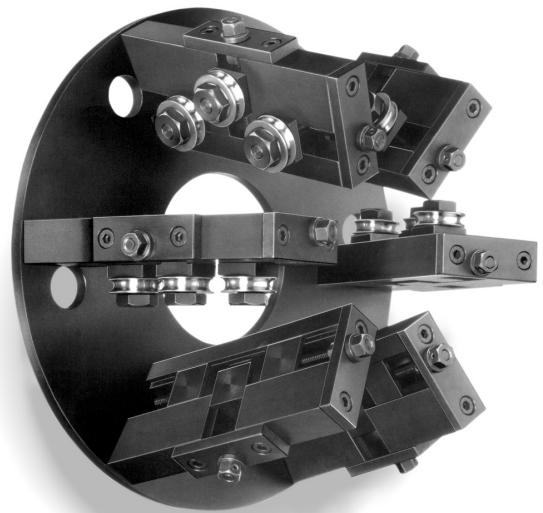
Pre-forming Heads & Postformers

Techna offer a range of Pre-forming Heads for stranded wire, armouring and general wire rope manufacture in standard or custom-built designs.

Pre-forming eliminates locked-up stress and strain induced during manufacture by pre-shaping the individual components to the curvature they will take in the finished product.

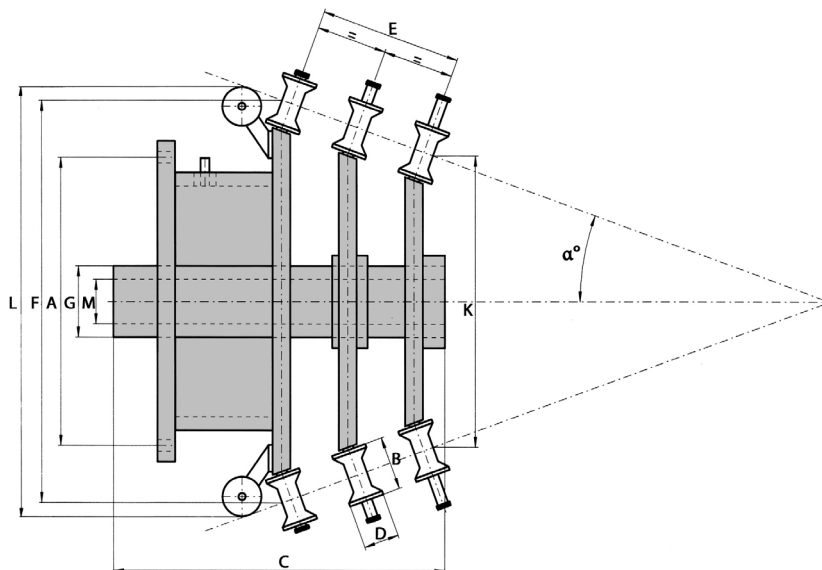
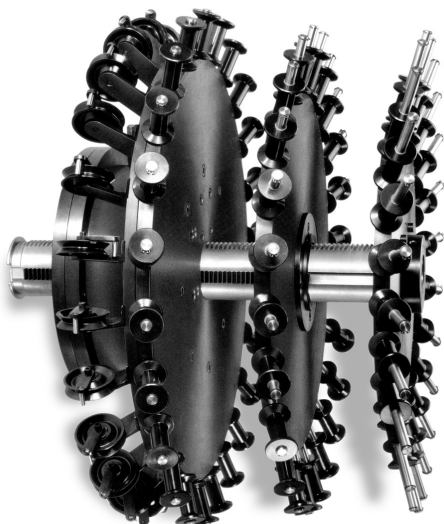
This helps stop the tendency of product to rotate about its own axis, preventing product from unravelling when cut, making splicing easier and increasing resistance to kinking.

To further relieve the residual tension induced in these processes we offer a wide range of Postformers from three to thirteen rolls and suitable for diameters up to 100mm.



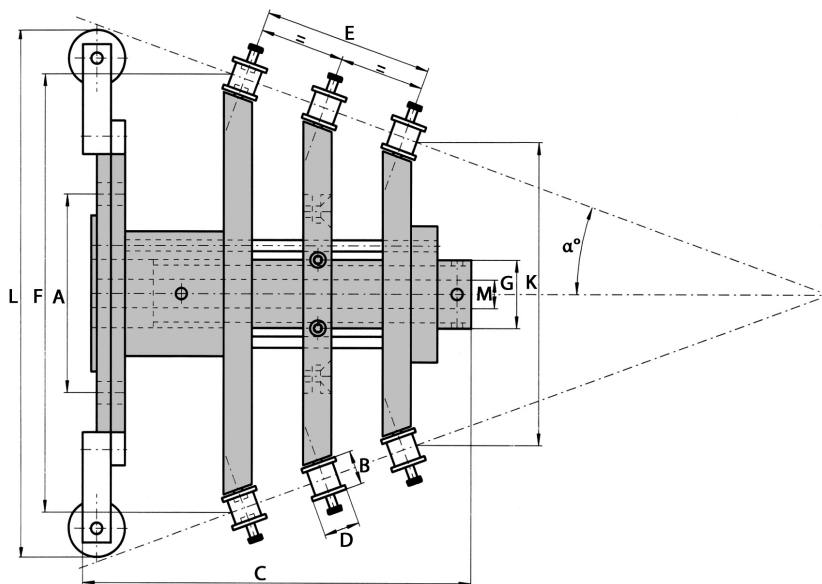
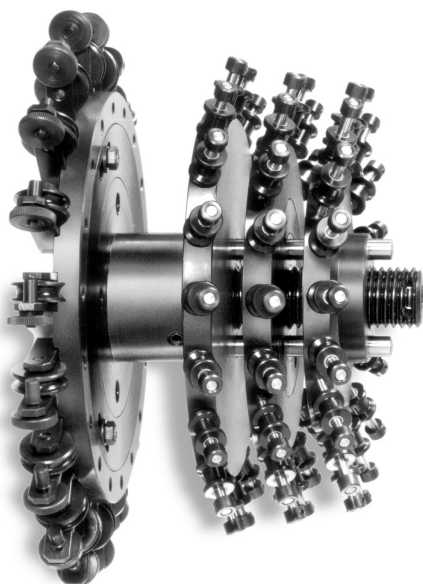
VR - Pre-forming of Cable

Custom designed and built to suit your process and materials needs. Please contact our sales team to discuss your requirements.



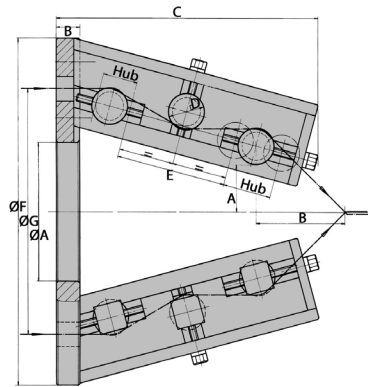
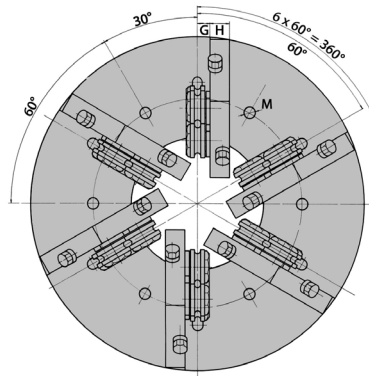
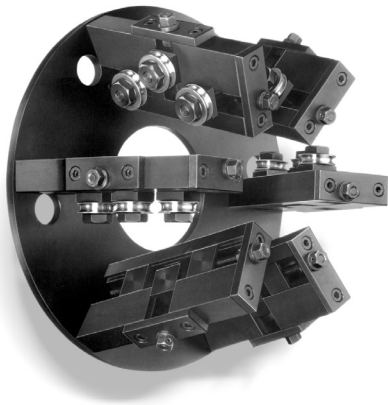
VG - Pre-forming of Cable

Custom designed and built to suit your process and materials needs. Please contact our sales team to discuss your requirements.



VB - Pre-forming Head

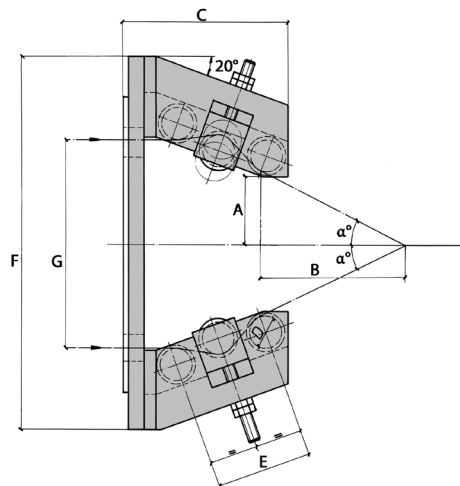
With separately adjustable rolls.



VB	Wire Diameter Ranges (mm) Ø											
Order	0.3 - 0.5	0.5 - 0.8	0.8 - 1	1 - 1.5	1.5 - 2	2 - 3	3 - 3.5	3.5 - 4	4 - 5	5 - 6	6 - 6.5	6.5 - 8
Ref.	VB	VB	VB	VB	VB	VB	VB	VB	VB	VB	VB	VB
6+1	11 - 6	21 - 6	31 - 6	41 - 6	61 - 6	82 - 6	102 - 6	122 - 6	142 - 6	162 - 6	182 - 6	222 - 6
8+1	-	-	-	41 - 8	61 - 8	82 - 8	102 - 8	122 - 8	142 - 8	162 - 8	182 - 8	222 - 8
12+1	-	-	-	41 - 12	61 - 12	82 - 12	102 - 12	122 - 12	142 - 12	162 - 12	182 - 12	222 - 12
C	To Customer Requirements											
D	5	7	8	13	16	26	30	35	40	47	52	62
E min.	11	15	20	28	32	52	60	70	80	94	104	124

VF - Pre-forming Head

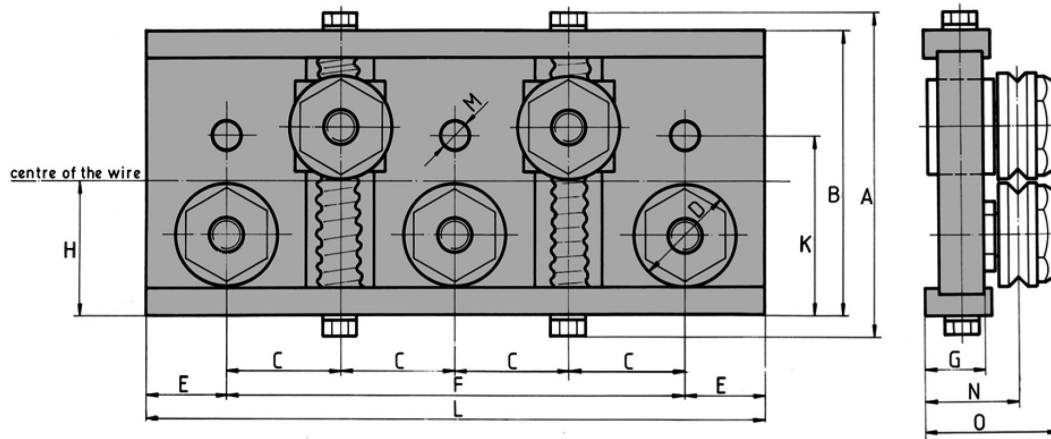
With single roll adjustment.



VF	Wire Diameter Ranges (mm) Ø												
Order	0.3 - 0.5	0.5 - 0.8	0.8 - 1	1 - 1.5	1.5 - 2	2 - 3	3 - 3.5	3.5 - 4	4 - 5	5 - 6	6 - 6.5	6.7 - 7	7 - 8
Ref.	VF	VF	VF	VF	VF	VF	VF	VF	VF	VF	VF	VF	VF
6+1	11 - 6	21 - 6	31 - 6	41 - 6	61 - 6	82 - 6	102 - 6	122 - 6	142 - 6	162 - 6	182 - 6	202 - 6	222 - 6
8+1	-	-	-	41 - 8	61 - 8	82 - 8	102 - 8	122 - 8	142 - 8	162 - 8	182 - 8	202 - 8	222 - 8
12+1	-	-	-	41 - 12	61 - 12	82 - 12	102 - 12	122 - 12	142 - 12	162 - 12	182 - 12	202 - 12	222 - 12
A	5.5	13	17	23	34	46	57	68	80	91	103	114	125
B	15	36	47	63	93	126	157	186	219	250	283	313	344
C	20	26	38	50	66	95	115	133	155	170	185	205	215
D	3	5	8	12	16	24	30	35	40	47	52	62	62
E	7	13	19	25	37	50	62	74	86	98	112	126	136
F	40	70	97	130	175	225	290	330	365	400	460	500	520
G	17	32	45	60	92	125	155	190	225	250	280	310	340

SR - Postformer

Postformers for wire diameters up to 100mm. These SR Series Postformers can also be used as large Straighteners.



SR	Wire Diameter Ranges (mm) ϕ										
	0 - 1	1 - 2	2 - 4	4 - 8	8 - 12	12 - 16	16 - 24	24 - 30	30 - 40	40 - 60	60 - 100
Common	62.5	86	120.5	145	170	232	260	299	378	478	682
A	50	70	100	125	144	192	212	240	306	406	610
B	18	24	36	50	60	80	90	110	160	200	307.5
C	16	24	35	45	52	74	85	100	125	150	240
D	14	18	25	35	45	60	62.5	80	120	140	197.5
E	12.5	16	19.5	25.5	29	35	40	50	53	60	83.5
H	24	35	50	63	63	80	90	110	130	160	255
K	34	47	60	80	82	110	125	150	180	283	288 / 438
M	6.6	9	9	13	17	17	26	26	26	26	33
N	22	28	35	40.5	45	60	66	80	90	112	165
O	33	41.5	49.5	57	61	92	100	116	135	171.5	244
Rolls	WN16	WN24	WN35	WR450	WR5201	WR74	WR85	WR1000	WR125	WR150	WR240
3 Roll	SR3-1	SR3-2	SR3-4	SR3-8	SR3-12	SR3-16	SR3-24	SR3-30	SR3-40	SR3-60	SR3-100
F	36	48	72	100	120	160	180	220	320	400	615
L	64	84	122	170	210	280	305	380	560	680	1010
5 Roll	SR5-1	SR5-2	SR5-4	SR5-8	SR5-12	SR5-16	SR5-24	SR5-30	SR5-40	SR5-60	SR5-100
F	72	96	144	200	240	320	360	440	640	800	1230
L	100	132	194	270	330	440	485	600	880	1080	1625
7 Roll	SR7-1	SR7-2	SR7-4	SR7-8	SR7-12	SR7-16	SR7-24	SR7-30	SR7-40	SR7-60	SR7-100
F	108	144	216	300	360	480	540	660	960	1200	1845
L	136	180	266	370	450	600	665	820	1200	1480	2240
9 Roll	SR9-1	SR9-2	SR9-4	SR9-8	SR9-12	SR9-16	SR9-24	SR9-30	SR9-40	SR9-60	SR9-100
F	144	192	288	400	480	640	720	880	1280	1600	2460
L	172	228	338	470	570	760	845	1040	1520	1880	2855
11 Roll	SR11-1	SR11-2	SR11-4	SR11-8	SR11-12	SR11-16	SR11-24	SR11-30	SR11-40	SR11-60	SR11-100
F	180	240	360	500	600	800	900	1100	1600	2000	3075
L	208	276	410	570	690	920	1025	1260	1840	2280	3470
13 Roll	SR13-1	SR13-2	SR13-4	SR13-8	SR13-12	SR13-16	SR13-24	SR13-30	SR13-40	SR13-60	SR13-100
F	216	288	432	600	720	960	1080	1320	1920	2400	3690
L	244	324	482	670	810	1080	1205	1480	2160	2680	4085